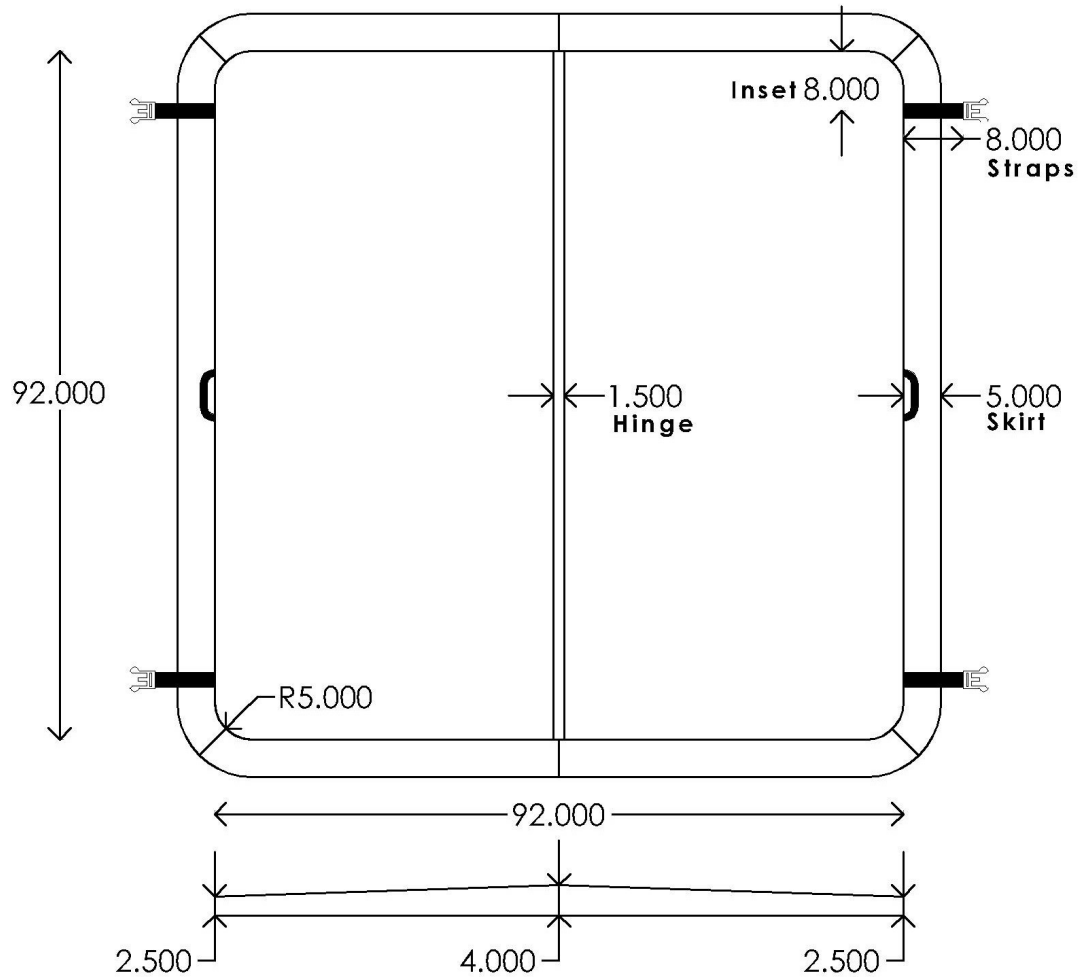



| REVISION DRAWING | | | |
|------------------|--------------------|----------------|----------------|
| REVISION | DESCRIPTION CHANGE | DATE | REALIZED BY |
| A | INITIAL DRAWING | 06 / 14 / 2016 | YESSENIA MUÑOZ |



Front view

Taper view

Foam
1.5 Lbs

| COVER INFORMATION | | NOTES TO CONSIDER: | TOLERANCE: | | PROPRIETARY THIS DOCUMENT AND THE DATE DISCLOSED HEREIN AND HEREWITH IS NOT TO BE REPRODUCED, USED OR OTHERWISE DISCLOSED IN WHOLE OR IN PART TO ANYONE WITHOUT WRITTEN AUTHORIZATION |  corecovers.com | CORE COVERS | |
|--|--|--------------------|---|---|--|---|---|--|
| -Dimension: 92" x 92" -Type of cut: <input checked="" type="checkbox"/> Radius <input type="checkbox"/> Cut Corner <input type="checkbox"/> Square -Size of cut: 5" -Taper: 4" x 2.5" -Foam Density: 1.5 Lbs -Strap Location: <input type="checkbox"/> A <input type="checkbox"/> B <input checked="" type="checkbox"/> C <input type="checkbox"/> D <input type="checkbox"/> E -Strap Length: 8" -Skirt Length: 5" | | | 1) THIS DRAWING SHALL BE USED TO DEFINE KEY DIMENSIONS OF THE KAI OR COVER SHOWN. 2) TOLERANCE OVER ROLL SIZE +/- 1/2". 3) RADIUS TOLERANCE +/- 1/4". | DIMENSIONS ARE IN INCHES DECIMALS X.XX 1/10-0.25 ANGLES +/- 0.5 grados DECIMALS X.XXX 1/10-0.125 FRACTIONS 1/2" | | | APPROVALS: _____ DATE: _____ DRAWN BY: Yesenia Muñoz 06 / 14 / 2016 CHECKED BY: _____ APPROVED BY: _____ | TITLE Stock Cover CAD 92 X 92 R5 |
| | | | | | | DWG NO. CAD 92 x 92 REV. A SHEET 1 OF 1 | | |