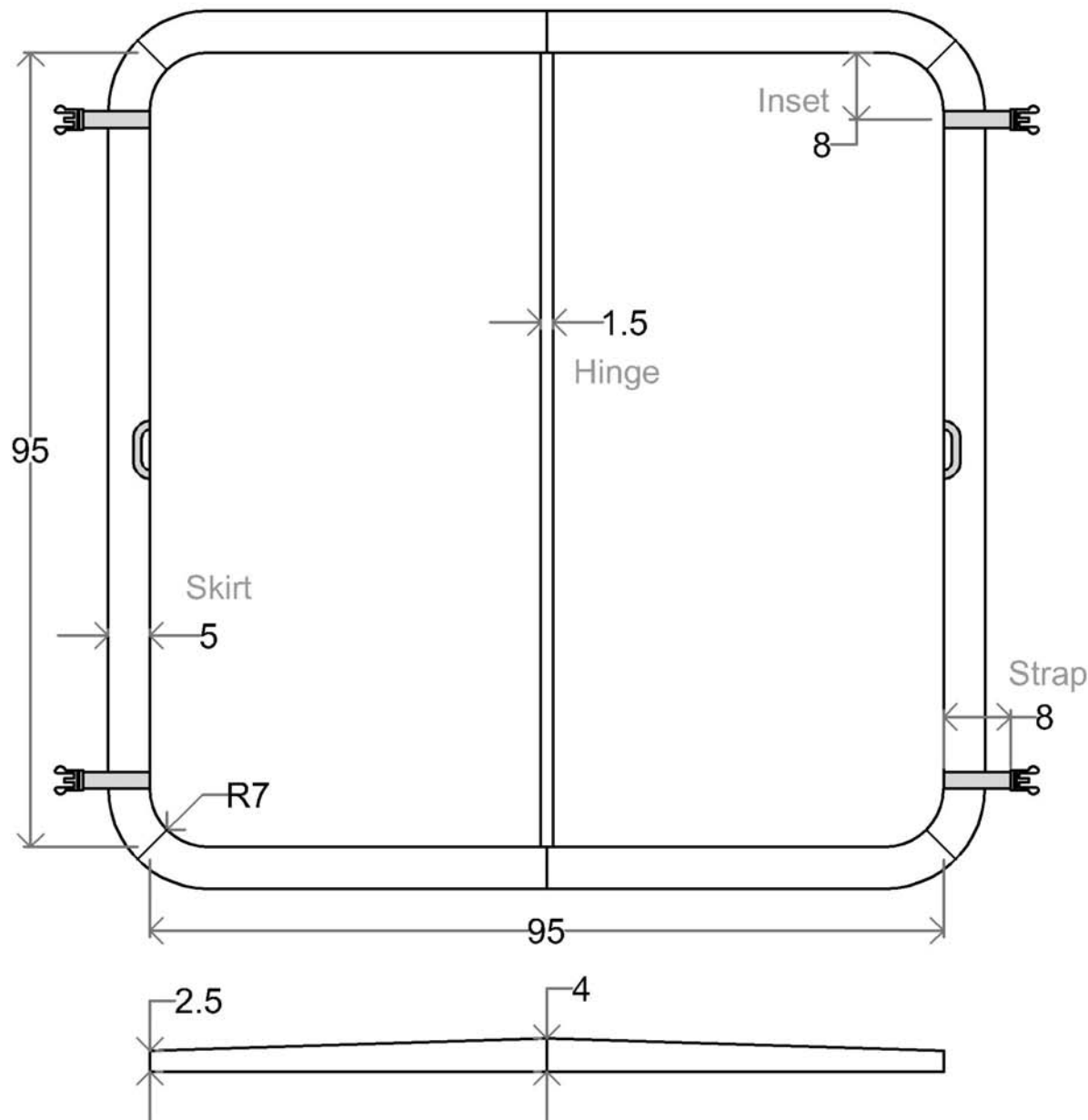


REVISION DRAWING			
REVISION	DESCRIPTION/CHANGE	DATE	REALIZED BY
0.1	Initial Drawing	Jan. 28.22	P. Reyes



1.5 lb

DISCLAIMER:  
 core covers™ IS NOT RESPONSIBLE FOR ERRORS IN MEASUREMENTS. PLEASE MAKE SURE TO DOUBLE CHECK YOUR DIMENSIONS BEFORE PROCEEDING. PLEASE REMEMBER THAT ALL COVERS ARE CUSTOM MADE TO YOUR SPECIFICATIONS AND TAKE 2-3 WEEKS IN PRODUCTION BEFORE SHIPPING. WEIGHT LOAD IS MEASURED AS A DISTRIBUTED LOAD ACROSS THE COVER.

PROPRIETARY  
 THIS DOCUMENT AND THE DATA DISCLOSED HEREIN AND HERewith IS NOT TO BE REPRODUCED, USED OR OTHERWISE DISCLOSED IN WHOLE OR IN PART TO ANYONE WITHOUT WRITTEN AUTHORIZATION

APPROVALS	DATE
DRAWN BY: P. Reyes	Jan - 28 - 22
CHECKED BY:	
APPROVED BY:	



corecovers.com

core covers

TITLE: Standard CAD 95-95-R7		
PART NUMBER:	FAMILY:	REV: 0.1
CUSTOMER:	UNIT:	PAGE: 1 OF 1